

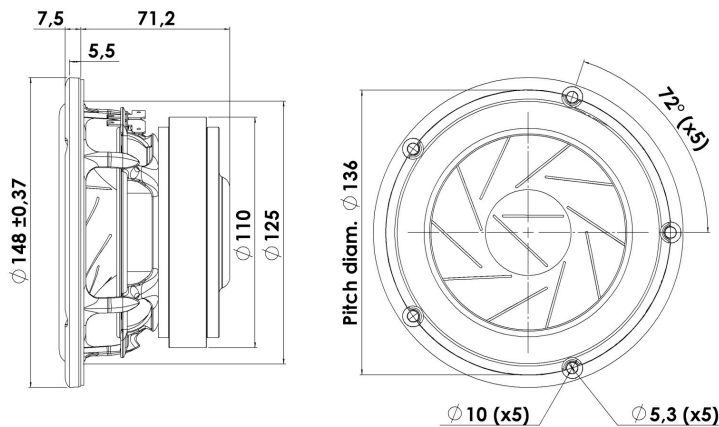


REVELATOR

MIDWOOFER

15W/8530K00

The Revelator midrange and midwoofers, both well known for their sliced paper cone technology. The slices are filled with damping glue, which dramatically reduces break-up modes in the diaphragm. In combination with Scan-Speaks low-loss linear suspension and the patented Symmetrical Drive (SD-1) it represented a breakthrough in midrange clarity and overall smooth frequency response characteristics.



KEY FEATURES:

- Patented Symmetrical Drive Motor Design
- Low-Loss linear suspension
- Coated Paper Cone
- Sliced Cone (Controls Cone Breakups)
- Low Damping SBR Rubber Surround
- Large Ferrite Magnet System

T-S Parameters

Resonance frequency [fs]	39 Hz
Mechanical Q factor [Qms]	5
Electrical Q factor [Qes]	0.43
Total Q factor [Qts]	0.39
Force factor [Bl]	6.6 Tm
Mechanical resistance [Rms]	0.64 kg/s
Moving mass [Mms]	13 g
Compliance [Cms]	1.27 mm/N
Effective diaph. diameter [D]	110 mm
Effective piston area [Sd]	95 cm ²
Equivalent volume [Vas]	16 l
Sensitivity (2.83V/1m)	85.8 dB
Ratio Bl/√Re	2.73 N/√W
Ratio fs/Qts	100 Hz

Notes:

IEC specs. refer to IEC 60268-5 third edition.
All Scan-Speak products are RoHS compliant.
Data are subject to change without notice.
Datasheet updated: March 27, 2019.

Electrical Data

Nominal impedance [Zn]	8 Ω
Minimum impedance [Zmin]	6.7 Ω
Maximum impedance [Zo]	57 Ω
DC resistance [Re]	5.85 Ω
Voice coil inductance [Le]	0.3 mH

Power Handling

100h RMS noise test (IEC 17.1)	60 W
Long-term max power (IEC 17.3)	110 W

Voice Coil & Magnet Data

Voice coil diameter	38 mm
Voice coil height	18 mm
Voice coil layers	2
Height of gap	5 mm
Linear excursion	± 6.5 mm
Max mech. excursion	± 9 mm
Unit weight	1.7 kg

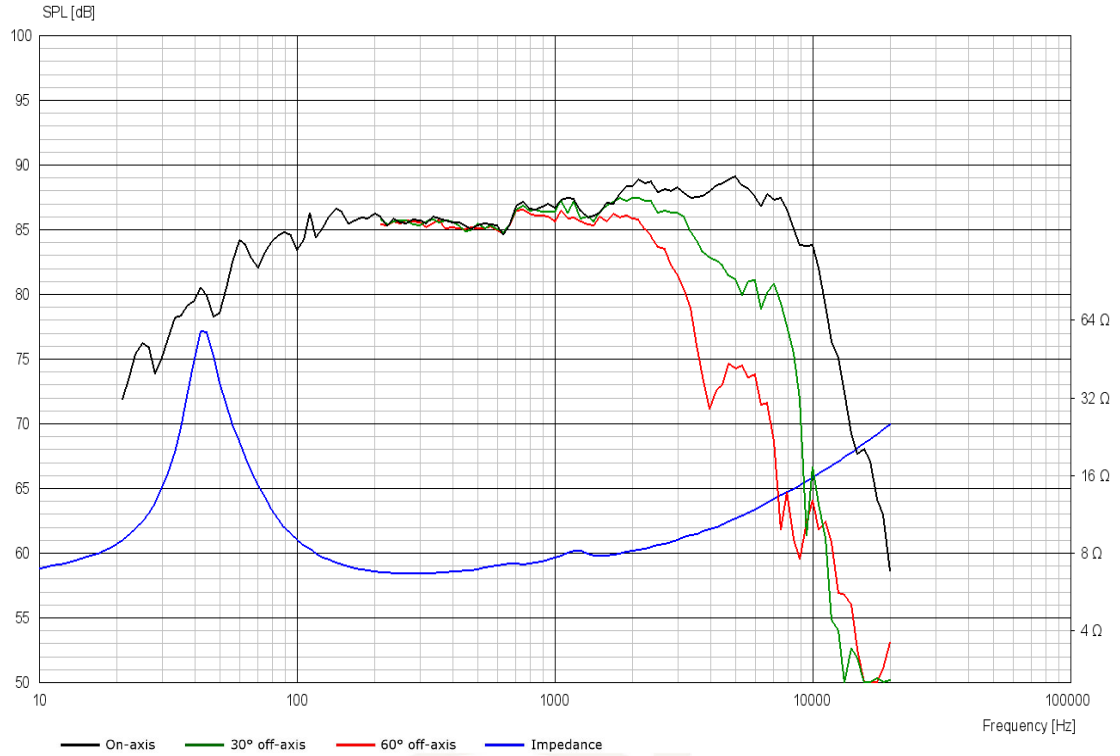




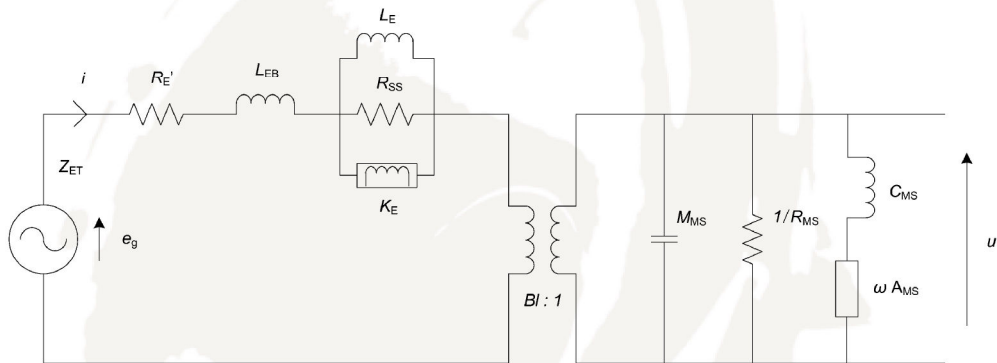
REVELATOR

MIDWOOFER

15W/8530K00



Advanced Parameters (Preliminary)



Electrical data

Resistance [$R_{E'}$]	6.07 Ω
Free inductance [L_{EB}]	0.127 mH
Bound inductance [L_E]	0.852 mH
Semi-inductance [K_E]	0.0248 SH
Shunt resistance [R_{SS}]	1633 Ω

Mechanical Data

Force Factor [BI]	6.20 Tm
Moving mass [M_{MS}]	13.7 g
Compliance [C_{MS}]	1.80 mm/N
Mechanical resistance [R_{MS}]	0.149 kg/s
Admittance [A_{MS}]	0.249 mm/N

